

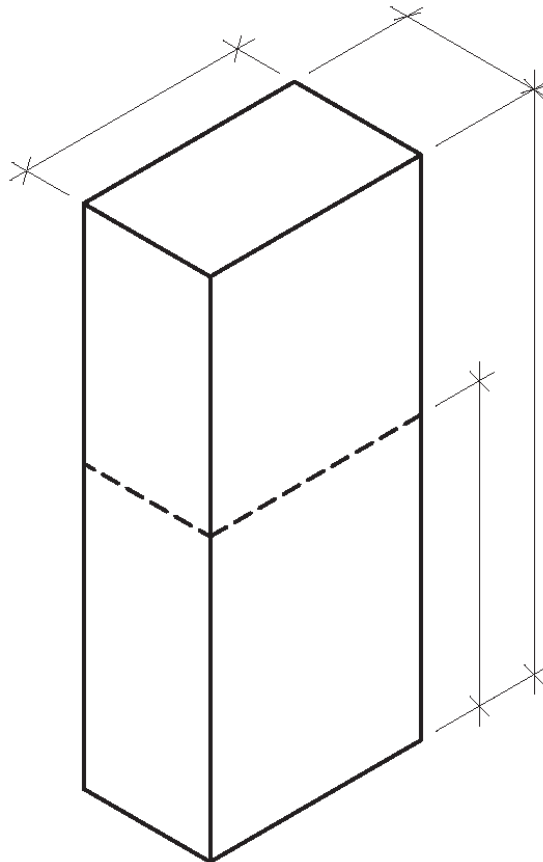
# Kirkyl Ltd.

## Steel Chimney Frame Order Form

Client  
Project Address


Please Insert Accurate Dimensions Below.  
Scan and email to:- enquiries@kirkyl.co.nz

### Style 3 – Partial Re-Build



- NOTE:
1. Frames will be manufactured to the sizes provided above.
  2. These dimensions are NOT the dimensions of the completed chimney.
  3. These dimensions are of the structural frame, onto which must be added any building wrap, battens, backing and cladding.
  4. The position of the brace point must be accurate, it is critical to the design

I certify that the information provided above is accurate .....

Signature

Print Name .....