

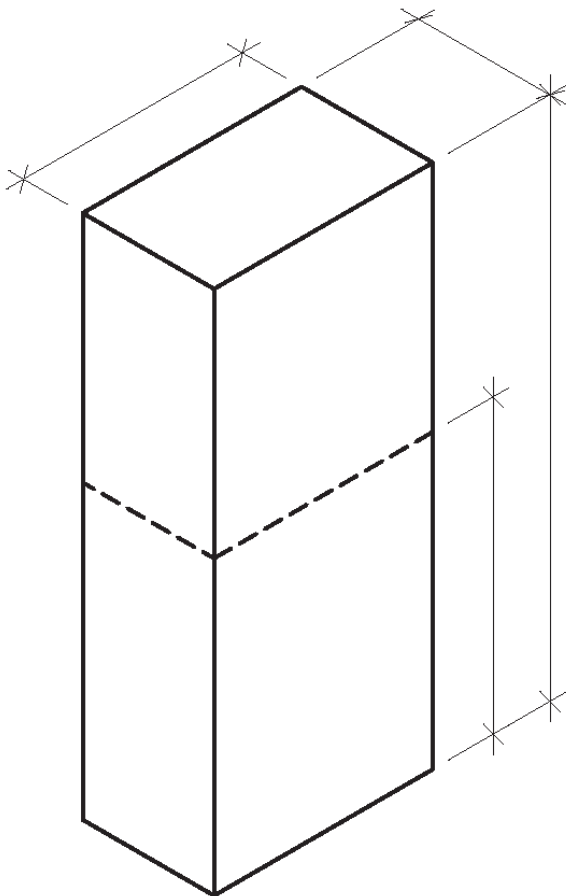
Kirkyl Ltd.

Steel Chimney Frame PS1 Request

Client
Project Address

Please Insert Dimensions and Details Below.
Scan and email to:- enquiries@kirkyl.co.nz

Style 3 – Partial Re-Build



PS1 Details	
Issuing Authority - Council	
Billing Name and Address	
The Building	
Street Address	
Suburb	
Town/City	
Post Code	
The Owner	
Owners Name	
Mailing Address	
Suburb	
Town/City	
Post Code	
P.O. Box / Private Bag	
Post Code	
Phone Number	
Email Address	

Additional Information required.

Architectural Drawings showing the base detail, surrounding structure and level of demolition.

Type of cladding to be used.

NOTE standard Kirkyl Designs are for medium weight cladding NZS 3604 (less than 85Kg/sqm)

I certify that the information provided above is accurate

.....

Signature

Print Name