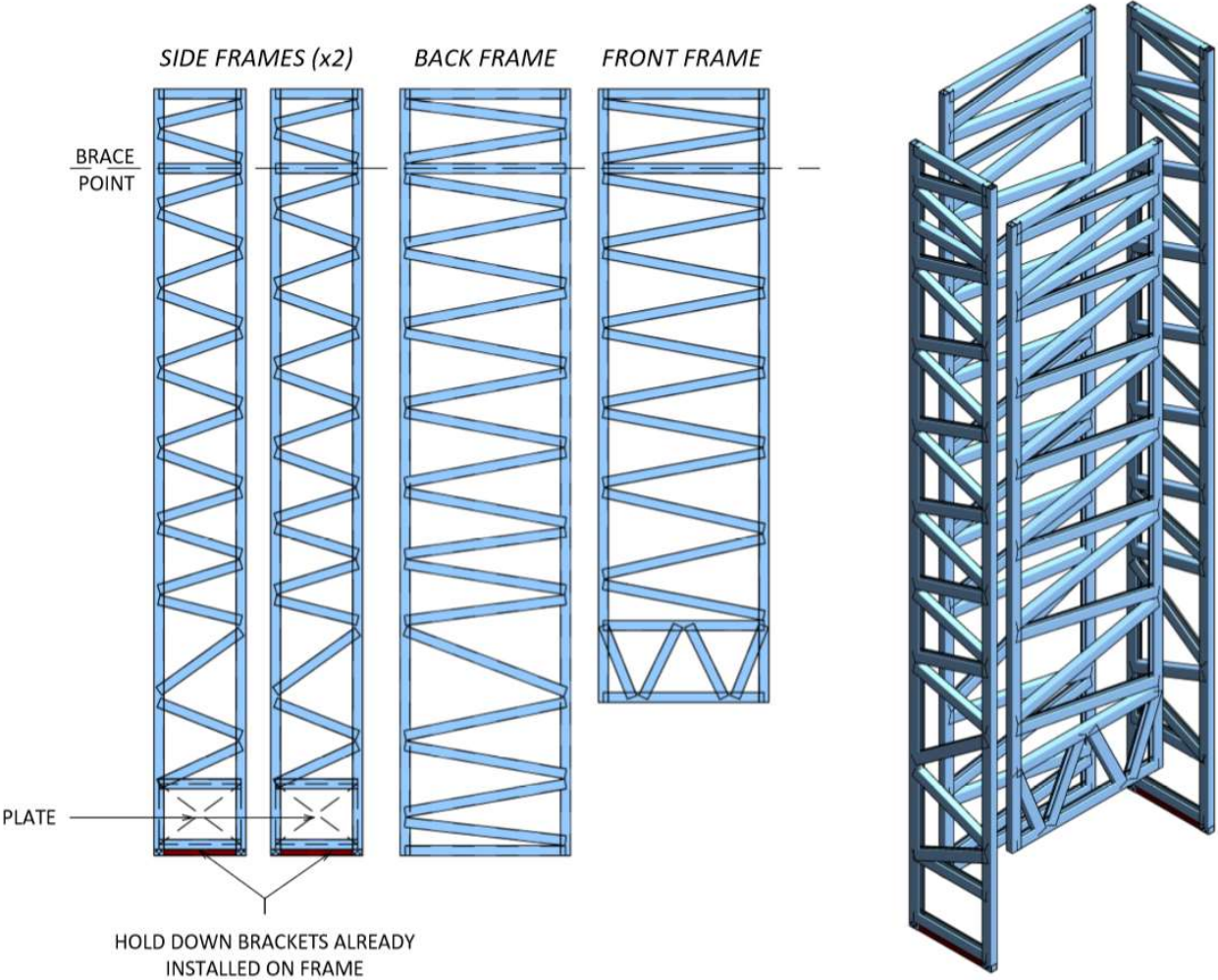


PACKAGE CONTENTS

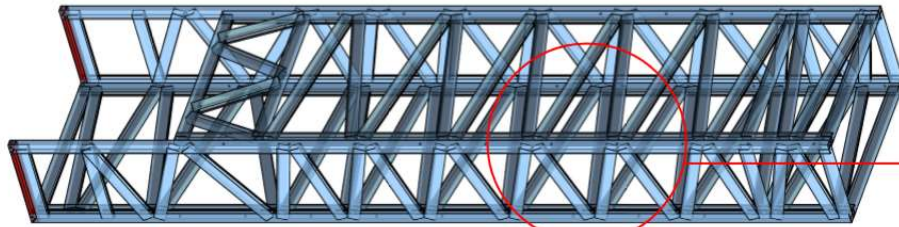
STANDARD STYLE



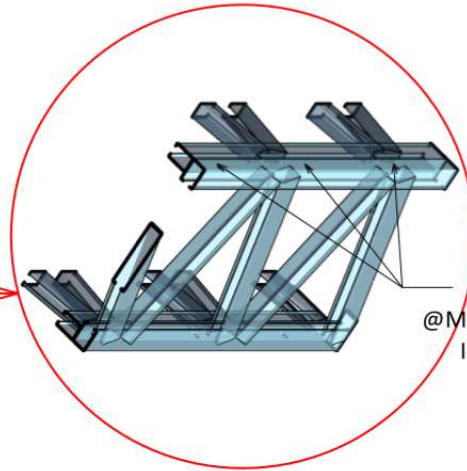
PACKAGE CONTENTS		
IMAGE	ELEMENT	COUNT
	HEX HEAD TEK SCREWS	100
	KIRKYL ANCHOR BOLT	4
	WINGTEK SCREWS (FOR FIXING BATTENS)	200
FOR SECURE CHIMNEY AT CEILING LEVEL		
	CPC80 FIXING BRACKETS	6
	FIXING STRAP 50x1mm	5 m
	PAN HEAD TEK SCREWS (FOR CPC UNDER BATTENS)	100
	PVC TAPE (TO SEPARATE CCA TIMBER FROM STEEL)	

ASSEMBLY ON SITE

ALL STYLES

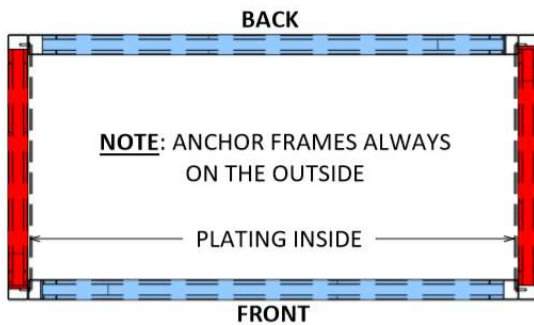
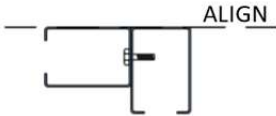


ASSEMBLY ON THE GROUND
BEFORE ERRECTION



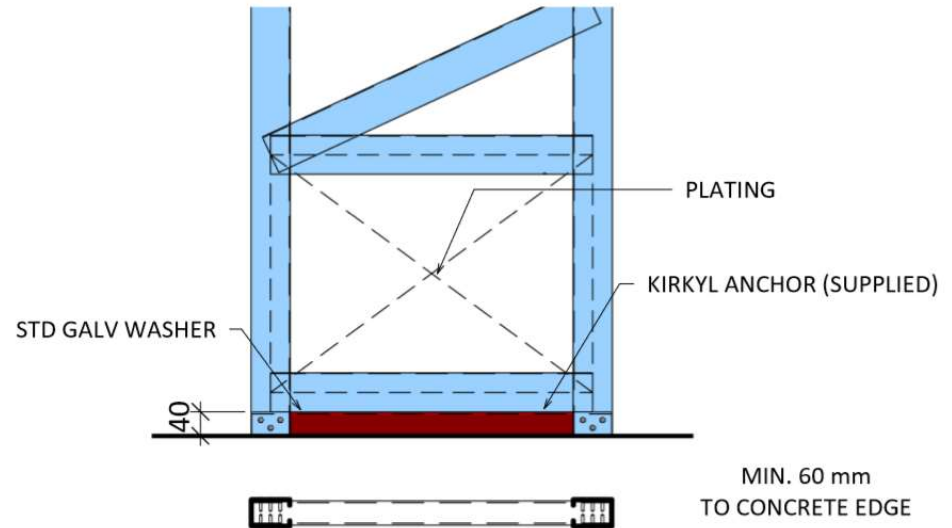
HEX HEAD SCREWS (SUPPLIED)
@ MAX. 400 c/c UP COMPLETE LENGTH
INTO PRE-DRILLED PILOT HOLES

NOTE: ALIGN FRAMES AT CORNERS



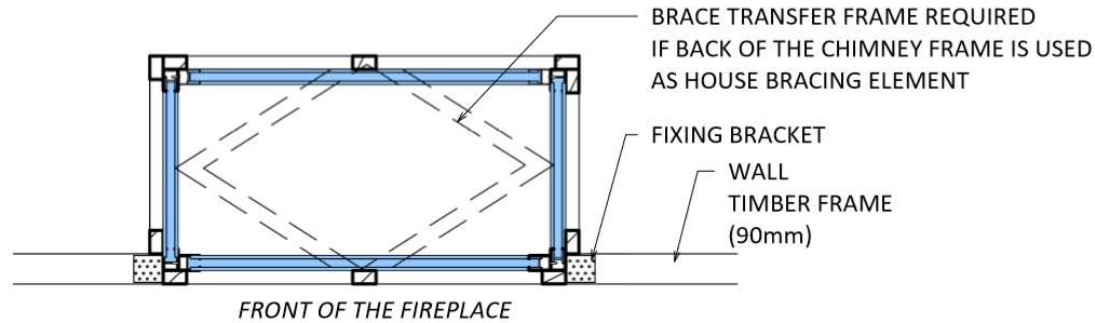
NOTE: ANCHOR FRAMES ALWAYS
ON THE OUTSIDE

PLATING INSIDE

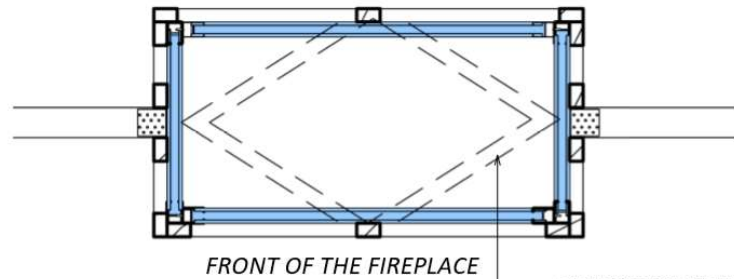


MIN. 60 mm
TO CONCRETE EDGE

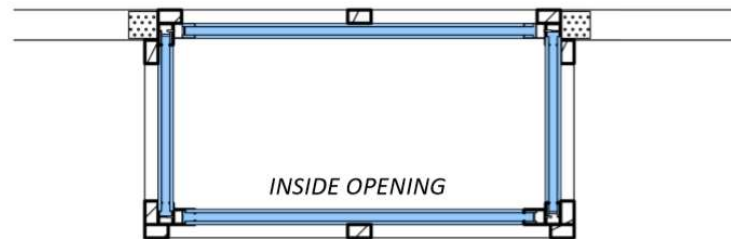
FIXING TO WALL



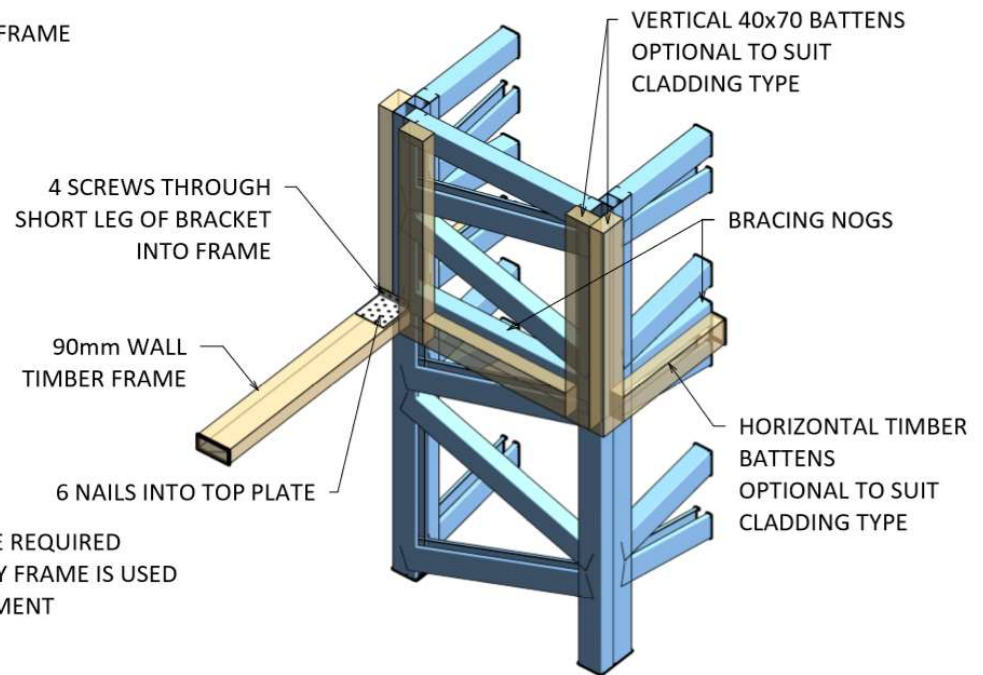
OR



OR



BRACE TRANSFER FRAME REQUIRED IF BACK OF THE CHIMNEY FRAME IS USED AS HOUSE BRACING ELEMENT



SECURE KIRKYL FRAME TO WALL FRAMES AT CEILING LEVEL