

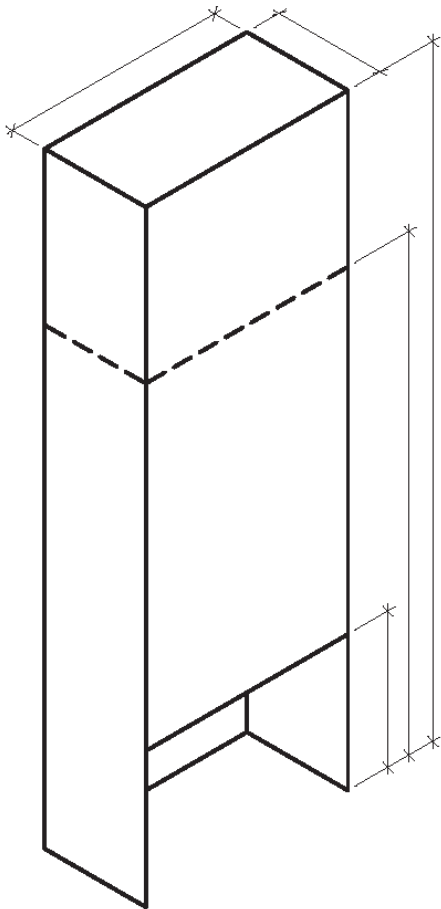
# Kirkyl Ltd.

## Steel Chimney Frame PS1 Request

Client  
Project Address


Please Insert Dimensions and Details Below.  
Scan and email to:- enquiries@kirkyl.co.nz

### Style 1 – Full Build - Modern



<b>PS1 Details</b>	
Issuing Authority - Council	
Billing Name and Address	
<b>The Building</b>	
Street Address	
Suburb	
Town/City	
Post Code	
<b>The Owner</b>	
Owners Name	
Mailing Address	
Suburb	
Town/City	
Post Code	
P.O. Box / Private Bag	
Post Code	
Phone Number	
Email Address	

Additional Information required.

Architectural Drawings showing the base detail and surrounding structure.

Type of cladding to be used.

NOTE standard Kirkyl Designs are for medium weight cladding NZS 3604 (less than 85Kg/sqm)

I certify that the information provided above is accurate

.....

Signature

Print Name .....